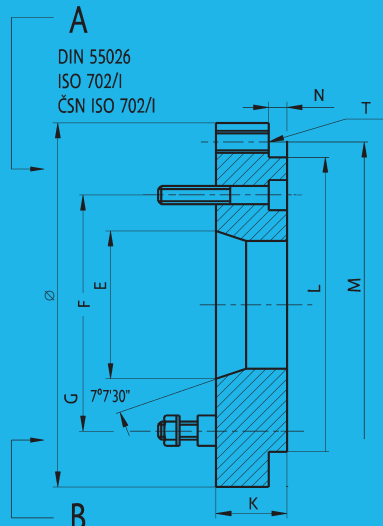




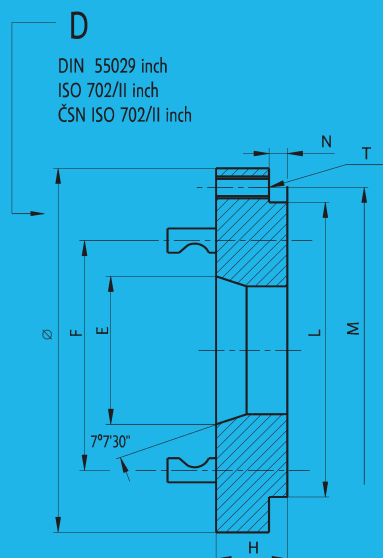
## TYP 243830.0

Mezipříruby s krátkým kuželem IUG,IUGO,IUH,IUHO  
 Kurzkegelflansche IUG,IUGO,IUH,IUHO  
 Adaptors with short taper IUG,IUGO,IUH,IUHO  
 Brides intermédiaires à cône court IUG,IUGO,IUH,IUHO  
 Фланцы с укороченным конусом IUG,IUGO,IUH,IUHO



**A**  
 DIN 55026  
 ISO 702/I  
 ČSN ISO 702/I

**B**  
 DIN 55027  
 ISO 702/III  
 ČSN ISO 702/III



**D**  
 DIN 55029 inch  
 ISO 702/II inch  
 ČSN ISO 702/II inch

Velikost kužele  
 Kegelgröße  
 Taper size  
 Grandeur du cône  
 Размер конуса

| Ø   |    | A      |       | B      |       | D      |       |
|-----|----|--------|-------|--------|-------|--------|-------|
|     |    |        | kg    |        | kg    |        | kg    |
| 100 | 3  | 100933 | 0,95  | 100943 | 0,95  | 100963 | 1,10  |
| 125 | 3  | 120933 | 1,10  | 120943 | 1,30  | 120963 | 2,20  |
| 125 | 4  | 120934 | 1,00  | 120944 | 1,20  | 120964 | 2,40  |
| 160 | 3  | 160933 | 2,20  | 160943 | 2,20  | 160963 | 3,40  |
| 160 | 4  | 160934 | 2,20  | 160944 | 2,10  | 160964 | 3,65  |
| 160 | 5  | 160935 | 2,10  | 160945 | 2,10  | 160965 | 3,50  |
| 200 | 3  | 200933 | 3,80  | 200943 | 3,80  | 200963 | 5,60  |
| 200 | 4  | 200934 | 3,70  | 200944 | 3,70  | 200964 | 5,65  |
| 200 | 5  | 200935 | 3,60  | 200945 | 3,60  | 200965 | 7,30  |
| 200 | 6  | 200936 | 3,30  | 200946 | 3,70  | 200966 | 6,70  |
| 250 | 4  | 250934 | 8,00  | 250944 | 8,40  | 250964 | 10,50 |
| 250 | 5  | 250935 | 7,50  | 250945 | 7,80  | 250965 | 11,10 |
| 250 | 6  | 250936 | 7,10  | 250946 | 7,40  | 250966 | 9,60  |
| 250 | 8  | 250938 | 6,80  | 250948 | 6,90  | 250968 | 10,10 |
| 310 | 5  | 310935 | 16,50 | 310945 | 16,60 | 310965 | 17,70 |
| 310 | 6  | 310936 | 16,00 | 310946 | 16,10 | 310966 | 16,60 |
| 310 | 8  | 310938 | 14,70 | 310948 | 15,00 | 310968 | 19,60 |
| 310 | 11 | 310031 | 13,00 | 310941 | 14,30 | 310961 | 16,70 |
| 400 | 6  | 400936 | 26,70 | 400946 | 26,70 | 400966 | 30,50 |
| 400 | 8  | 400938 | 25,40 | 400948 | 25,40 | 400968 | 29,20 |
| 400 | 11 | 400931 | 23,00 | 400941 | 24,60 | 400961 | 29,70 |
| 500 | 11 | 500931 | 34,20 | 500941 | 35,80 | 500961 | 44,20 |

Velikost kužele  
 Kegelgröße  
 Taper size  
 Grandeur du cône  
 Размер конуса

| Ø   | Размер конуса | E      | F      | G      | H     | K     | L   | M   | N   | T     |
|-----|---------------|--------|--------|--------|-------|-------|-----|-----|-----|-------|
| 100 | 3             | 53,90  | 70,60  | 75     | 28,50 | 17,50 | 70  | 83  | 2,5 | 7xM8  |
| 125 | 3             | 53,90  | 70,60  | 75     | 27,50 | 14,50 | 95  | 108 | 3,5 | 7xM8  |
| 125 | 4             | 63,50  | 82,60  | 85     | 27,50 | 14,50 | 95  | 108 | 3,5 | 7xM8  |
| 160 | 3             | 53,90  | 70,60  | 75     | 27,50 | 14,50 | 125 | 140 | 3,5 | 7xM10 |
| 160 | 4             | 63,50  | 82,60  | 85     | 27,50 | 14,50 | 125 | 140 | 3,5 | 7xM10 |
| 160 | 5             | 82,50  | 104,80 | 104,80 | 29,50 | 14,50 | 125 | 140 | 3,5 | 7xM10 |
| 200 | 3             | 53,90  | 70,60  | 75     | 27,50 | 19,50 | 160 | 176 | 3,5 | 7xM10 |
| 200 | 4             | 63,50  | 82,60  | 85     | 27,50 | 19,50 | 160 | 176 | 3,5 | 7xM10 |
| 200 | 5             | 82,50  | 104,80 | 104,80 | 34,50 | 19,50 | 160 | 176 | 3,5 | 7xM10 |
| 200 | 6             | 106,30 | 133,40 | 133,40 | 34,50 | 19,50 | 160 | 176 | 3,5 | 7xM10 |
| 250 | 4             | 63,50  | 82,60  | 85     | 29,50 | 19,50 | 200 | 224 | 4,5 | 7xM12 |
| 250 | 5             | 82,50  | 104,80 | 104,80 | 29,50 | 19,50 | 200 | 224 | 4,5 | 7xM12 |
| 250 | 6             | 106,30 | 133,40 | 133,40 | 37,50 | 23,50 | 200 | 224 | 4,5 | 7xM12 |
| 250 | 8             | 139,70 | 171,40 | 171,40 | 37,50 | 23,50 | 200 | 224 | 4,5 | 7xM12 |
| 310 | 5             | 82,50  | 104,80 | 104,80 | 34,50 | 22,50 | 260 | 286 | 4,5 | 7xM12 |
| 310 | 6             | 106,30 | 133,40 | 133,40 | 34,50 | 22,50 | 260 | 286 | 4,5 | 7xM12 |
| 310 | 8             | 139,70 | 171,40 | 171,40 | 44,50 | 29,50 | 260 | 286 | 4,5 | 7xM12 |
| 310 | 11            | 196,80 | 235    | 235    | 44,50 | 29,50 | 260 | 286 | 4,5 | 7xM12 |
| 400 | 6             | 106,30 | 133,40 | 133,40 | 37,50 | 23,50 | 330 | 362 | 6,5 | 7xM16 |
| 400 | 8             | 139,70 | 171,40 | 171,40 | 37,50 | 23,50 | 330 | 362 | 6,5 | 7xM16 |
| 400 | 11            | 196,80 | 235    | 235    | 44,50 | 29,50 | 330 | 362 | 6,5 | 7xM16 |
| 500 | 11            | 196,80 | 235    | 235    | 44,50 | 29,50 | 420 | 458 | 6,5 | 7xM16 |